

DALI Touch Panel



DA3

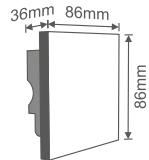


1. Technical Specs:

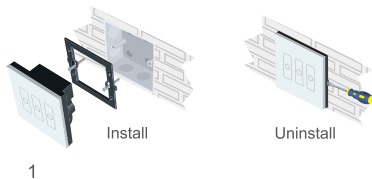
- Power Supply: DALI Power
- Output Signal: DALI
- Dimming Key: 3CH Control
- Working Temperature: -30°C~55°C

- Dimensions: L86×W86×H36(mm)
- Package Size: L113×W112×H50(mm)
- Weight(G.W.): 200g

2. Product Size:

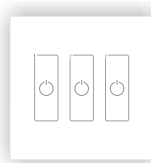


3. Installation Instruction:



1

4. Key Functions:



3CH Switch
Long press to adjust brightness

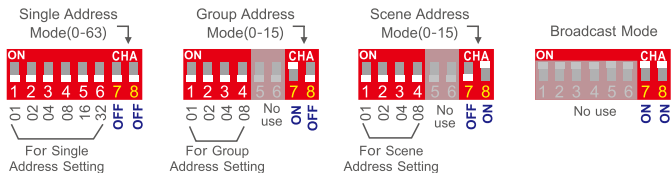
5. Terminals:



Power and Signal Combined Socket
Dip Switch

6. Dip Switch Operation:

Via dip switch, you can set 64 single addresses (0-63), 16 group addresses (0-15), 16 scene addresses (0-15) and broadcast address.



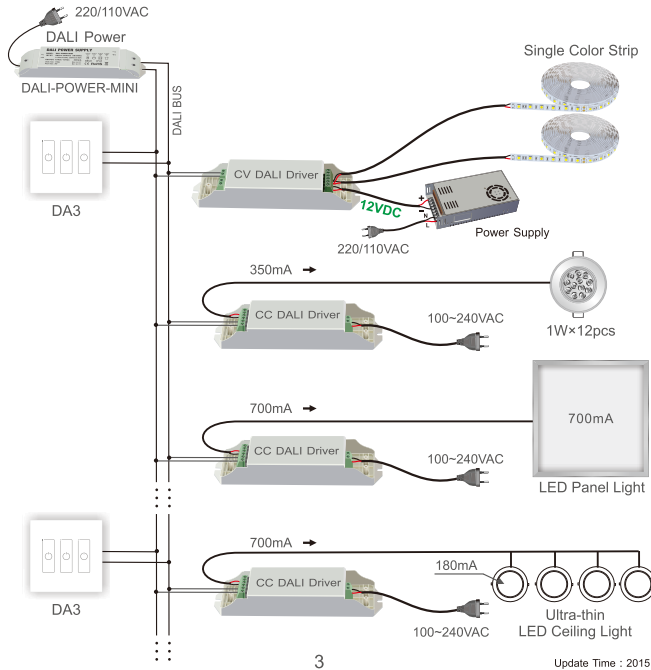
Total address value = the sum of the dip switch value, to get the place value when in "on" position, otherwise will be 0.

E.g.1: Set initial address to 40 in Single Address Mode. E.g.2: Set initial address to 5 in Group Address Mode.



2

7. Wiring Diagram:



3